

# DA-1000C

Intel® Atom™ E3826 Dual Core Affordable Fanless Embedded Computer with 4x COMs



## Key Features

- Onboard Intel® Atom™ Processor E3826 Dual Core 1.46GHz
- One DDR3L SO-DIMM Socket, Support DDR3L 1066/1333 Up to 8G
- Dual Intel® I210 GbE LAN Ports, Support WoL, Teaming, Jumbo Frame, PXE
- Ultra Compact Size (150x105x56.02mm)
- Support Dual Display, Output from One DVI-I Port
- Support -25°C~70°C Extended Operating Temperature
- Support 9~48VDC Input, Support AT/ATX Power Mode
- CMI (Cincoze Multiple IO) Interface for I/O Module Expandability
- Various Mounting Options (VESA, DIN-Rail, Side/Wall Mounting)

## Overview

DA-1000 series is an ultra-compact size fanless embedded computer basing on Intel® Atom E3826 platform; it has 1.46GHz and integrated HD graphics processor. This can bring economic advantages on budget and also fulfill the needs for industrial computing tasks. The DA-1000 manages to pack a diverse array of I/O into its small form factor, with one DVI-I port, two RS-232/422/485 COM ports, dual Gb LAN ports, four USB ports and one set of Mic-in and Line-out.

DA-1000 supports Cincoze Multiple IO (CMI) interface and modules which are especially designed for flexible I/O expandability; it allows users to extend various I/Os according to their needs. CMI modules are including COMs, DIO, DisplayPort, DVI, LPT/PS2 or VGA. The rugged construction, wide temperature operating and high tolerance for shock and vibration enables DA-1000 to be easily employed for harsh environments.

## Specifications

### Processor

- Onboard Intel® Atom™ Processor E3826 1MB Cache, 1.46 GHz with AMI 64Mbit SPI BIOS

### Memory

- 1x 204-Pin SO-DIMM DDR3L 1333/1066MHz (Un-buffered and Non-ECC) Max. Up to 8GB

### Graphics

- Intel® HD Graphics Max. 667 MHz
- Support Dual Display (with optional split cable)

### Expansion

- 2x Full-size Mini-PCIe
- 1x SIM Socket (Internal)
- 1x CMI (Cincoze Multiple IO) Interface

### Storage

- 1x 2.5" SATA HDD Bay (Internal)
- 1x Internal mSATA Slot (Shared by 1x Mini-PCIe socket)

### External I/O Interface

- 1x DVI-I Port
- 2x GbE LAN Ports (Intel® I210, Support Wake On Lan, Teaming, Jumbo Frame, PXE)
- 4x COM Ports (DB9, RS232/RS422/RS485 with Auto Flow Control)
- 1x USB 3.0 Ports
- 3x USB 2.0 Ports
- 1x Mic-in and 1x Line-out (Codec: Realtek ALC888S)
- 1x Power On/Off Switch
- 1x AT/ATX Switch
- 1x Remote Power On/Off Connector (2-pin Terminal Block)
- 1x Universal I/O Bracket
- 2x Antenna Holes

### Watchdog Timer

- Software Programmable Supports 1~255 sec. System Reset

### Power Requirement

- Support AT/ATX Power Mode
- Power Input Voltage 9~48VDC
- One 3-pin Terminal Block Connector
- Optional Power Adapter AC/DC 12V/5A 60W
- Power Consumption Typical 8.3W, Max.15W

**Physical**

- Dimension: 150mm (W) x 105mm (D) x 56.02mm (H)
- Weight: 0.86kg (Net Weight); 1.68kg (Gross Weight)
- Construction: Aluminum Chassis with Fan-less Design
- Mounting: VESA/Wall Mounting (Optional DIN-Rail/Side Mounting)
- Cable-less Design

**Environment**

- Operating Temperature: -25°C to 70°C  
(With extended temperature peripherals; Ambient with Air Flow by IEC60068-2-1, IEC60068-2-2, IEC60068-2-14)
- Storage Temperature: -40°C to 85°C
- Relative Humidity: 40°C@95% RH (Non-Condensing)
- Shock: 30 Grms  
(With SSD According to IEC 60068-2-27, Half Sine, 11ms Duration)
- Vibration: Random: 3 Grms  
(With SSD According to IEC 60068-2-64, 5~500Hz, 1 hr/axis)

**Protection**

- Reverse Power Input Protection Supported
- Over Voltage Protection (OVP) Up to 51V
- Over Current Protection (OCP) 120V/ 20A
- ESD Protection Air Discharge: 8 kV; Contact Discharge: 4 kV (by IEC 61000-4-2)

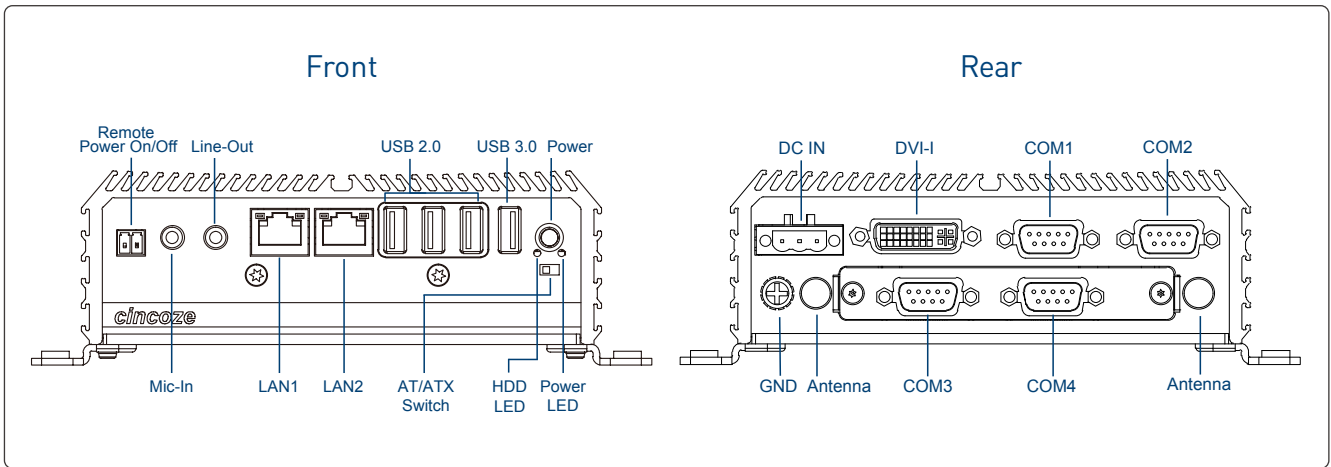
**Certification**

- CE
- FCC Class A

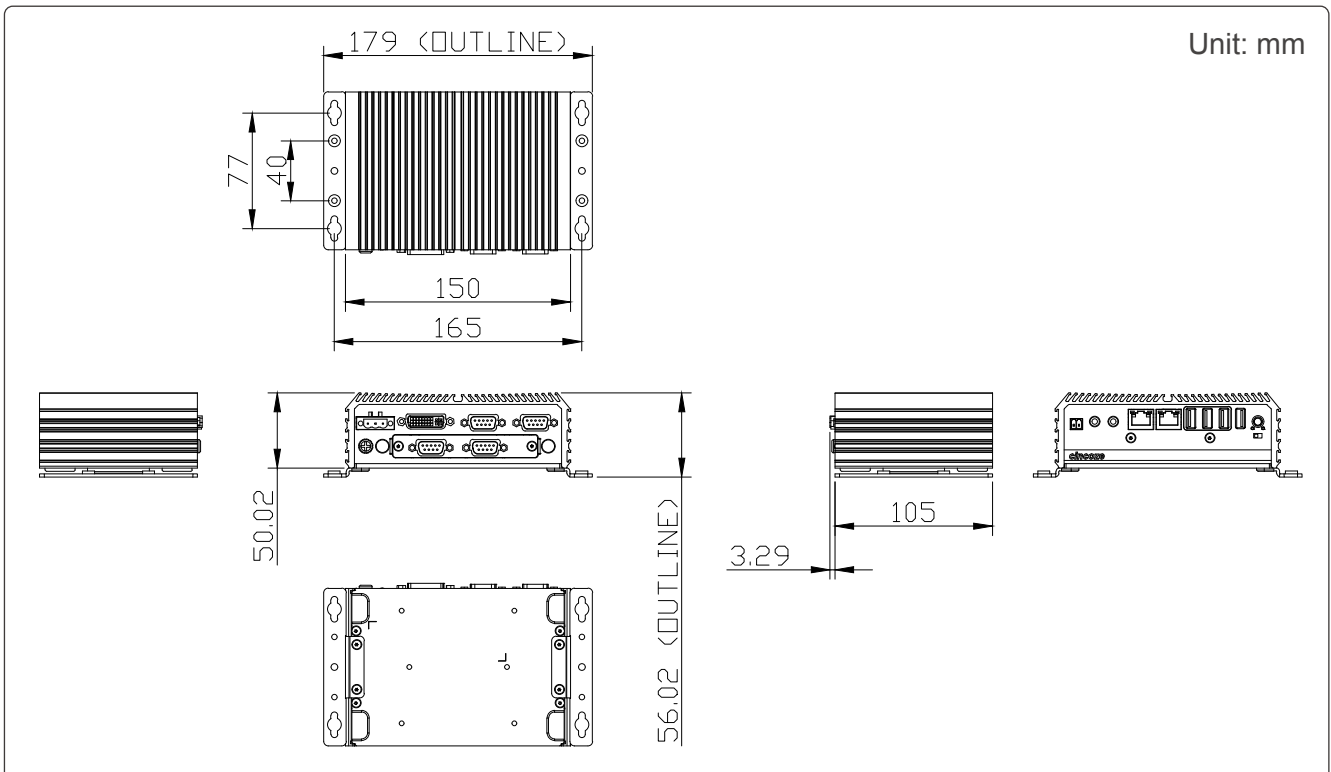
**Operating System**

- Windows® 7
- Windows® Embedded Standard 7
- Windows® 8
- Windows® Embedded Standard 8
- Windows® 10
- Linux® Ubuntu 14.04

External I/O Mechanical Layout



Dimensions



## Ordering Information

### Available Models

Model Name	Product Description
<b>DA-1000C</b>	Intel® Atom™ E3826 Affordable Fanless Embedded Computer with 4x COMs

### Package Checklist

- DA-1000C Embedded System x 1
- Power Terminal Block Connector (Male) x 1
- Remote Power On/Off Terminal Block Connector (Male) x 1
- Utility DVD Driver x 1
- DVI-I to VGA Adapter x 1
- Screw Pack x 1 (For HDD/Mini-PCIe/Wall & VESA Mounting)
- Wall Mount Kit x 1

### Optional Accessories

Model No.	Description
59381560000E	MINI-DIN (M) (PS/2 KB+MS) to MINI-DIN (F) (PS/2 KB) + MINI-DIN (F) (PS/2 MS) L:10cm
SIDE-DA	DA Series Side Mounting Kit
DINRAIL-R10	DIN-Rail Kit
GSM60A12-CIN	Adapter AC/DC 12V 5A 60W with 3pin Terminal Block Plug 5.0mm Pitch, GSM60A12-P1J