

19" Wide 1440 x 900 AFOLUX Panel PC

AFL-W19A/B-ATOM

Intel® Atom™ N270 1.6G Processor

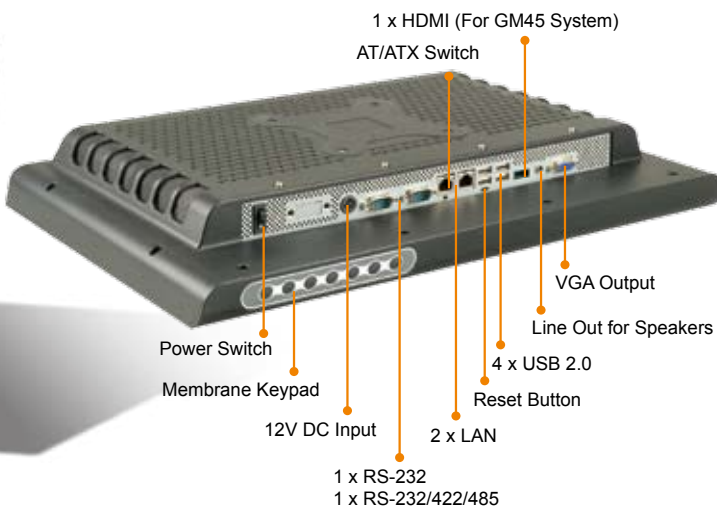
AFL-W19A/B-GM45

Intel® Core™2 Duo T9400 2.53GHz Processor **45nm**
Intel® Core™2 Duo T7500 2.2GHz Processor **65nm**
Intel® Celeron M 575 2.0GHz Processor

1
Automation

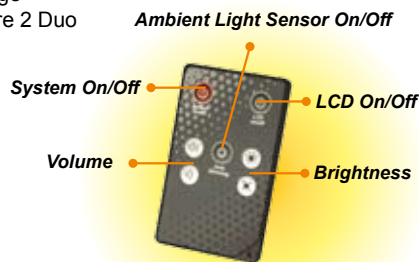


Fully Integrated I/O



Features

- 19" wide screen all-in-one system with resistive touch panel
- High quality wide screen panel featuring 16:10 aspect ratio, high contrast and fast response time
- Fan-less system integrated with Intel® Atom™ N270 1.6G processor for ultra low voltage
- High performance panel PC Integrated with Intel® GM45 chipset and 45nm mobile Core 2 Duo processor support
- CD/DVD-ROM drive bay (For B Type Model)
- WiFi 802.11b/g/n connection (For Intel® GM45 system)
- HDMI New High-Definition Multimedia Interface (For Intel® GM45 System)
- Built-in two speakers
- Built-in Bluetooth technology
- Built-in HSUPA module for mobile connection (Optional)
- Ambient Light Sensor detects ambient light for automated screen adjustments
- VESA-mountable for flexibility in mounting and deployment
- Software system settings utility support
- Support for Windows CE, Windows XP Embedded and LINUX (Optional)
- IP 64 Front Panel Compliant



**Infrared Remote Control
 (For AFL-W19A Series Only)**



Slim type optical disk driver



Membrane Keypad for System Function Settings



Ambient Light Sensor (Only for AFL-W19A Series)



300K Pixel Camera (with Low Light function) and Digital Microphone



HDMI High-Definition Multimedia Interface (For GM45 Systems Only)



Two USB Ports on Side of AFL-W19B-GM45

2
Point of Service

3
Digital Signage

4
RISC-based Solutions

5
Medical Solutions

Specifications

Model	AFL-W19A-ATOM-R10 Fanless	AFL-W19A-GM45-R10	AFL-W19B-ATOM-R10 Fanless	AFL-W19B-GM45-R10
LCD Size	19"			
Max Resolution	1440 x 900			
Brightness (cd/m ²)	300			
Contrast Ratio	850 : 1			
LCD Color	16.2M			
Pixel Pitch (mm)	0.285(H) x 0.285(V)			
Viewing Angle (H-V)	160°/160°			
Backlight MTBF	50000 hrs			
SBC Model	AFLMB2-ATOM-R10	AFLMB2-GM45-R10	AFLMB2-ATOM-R10	AFLMB2-GM45-R10
CPU	Intel® Atom™ process N270 1.6GHz CPU	Intel® Core 2 Duo T7500 2.2GHz CPU (max.)	Intel® Atom™ process N270 1.6GHz CPU	Intel® Core 2 Duo T7500 2.2GHz CPU (max.)
Chipset	Intel® 945GSE + ICH7M	Intel® GM45 Chipset + ICH9M	Intel® 945GSE + ICH7M	Intel® GM45 Chipset + ICH9M
RAM	Supports one 400MHz or 533MHz DDRII SO-DIMM (2GB Max.)	Supports two 667MHz or 800MHz DDRII SO-DIMM (4GB max.)	Supports one 400MHz or 533MHz DDRII SO-DIMM (2GB Max.)	Supports two 667MHz or 800MHz DDRII SO-DIMM (4GB max.)
I/O Ports	1 x RS232 COM Port 1 x RS-232/422/485 COM port 2 x RJ-45 for Giga LAN 4 x USB 2.0 1 x Power Switch 1 x Reset Button 1 x Audio Port 1 x VGA Port 1 x Power Jack	1 x RS232 COM Port 1 x RS-232/422/485 COM port 2 x RJ-45 for Giga LAN 4 x USB 2.0 1 x Power Switch 1 x Reset Button 1 x HDMI port 1 x Audio port 1 x VGA port 1 x Power Jack	1 x RS232 COM Port 1 x RS-232/422/485 COM port 2 x RJ-45 for Giga LAN 4 x USB 2.0 1 x Power Switch 1 x Reset Button 1 x Audio Port 1 x VGA Port 1 x Power Jack	1 x RS232 COM Port 1 x RS-232/422/485 COM port 2 x RJ-45 for Giga LAN 6 x USB 2.0 (two on the side) 1 x Power Switch 1 x Reset Button 1 x HDMI port 1 x Audio port 1 x VGA port 1 x Power Jack
SSD	CF Typell			
Watchdog Timer	Software programmable supports 1~255 sec. System reset			
Audio	AMP 1.5W + 1.5W (internal speaker)		AMP 3W + AMP 3W(internal speaker)	
Camera Module	300K pixel camera (with low light function) and Digital Microphone			
Expansion	1 x Wireless Lan 802.11 b/g Module (internal PCIe mini card interface) 1 x Bluetooth Function (internal USB interface, Bluetooth V2.0)	1 x Wireless Lan 802.11 b/g/n Module (internal PCIe mini card interface) 1 x Bluetooth Function (internal USB interface, Bluetooth V2.0)	1 x Wireless Lan 802.11 b/g Module (internal PCIe mini card interface) 1 x Bluetooth Function (internal USB interface, Bluetooth V2.0)	1 x Wireless Lan 802.11 b/g/n Module (internal PCIe mini card interface) 1 x Bluetooth Function (internal USB interface, Bluetooth V2.0)
Drive Bay	1 x 2.5" SATA HDD bay		1 x 2.5" SATA HDD bay, 1 x slim type ODD bay	
Optional HSUPA Module (support GSM 850, EGSM 900, DCS 1800 & 1900)	1 x HSUPA Mobile Module (USB Interface) (Optional)			
Construction Front Panel	ABS + PC Plastic front frame			
Membrane Keypad	LCD On/Off, Brightness Down/Up, Volume Down/Up, Lock, Ambient Light Sensor On/Off		LCD On/Off, Brightness Down/Up, Volume Down/Up	
Ambient Light Sensor	Yes		N/A	
Infrared Remote Control	LCD On/Off, Brightness Up/Down, Volume Up/Down, System On/Off, Ambient Light Sensor On/Off		N/A	
Mounting	Panel, Wall, Stand and Arm VESA 100mm x 100mm			
Front Panel Color	Black C			
Dimension (WxHxD) (mm)	475 x 259 x 65		475 x 259 x 84	
Operation Temperature (°C)	0°C ~40°C With HDD -10°C ~50°C With CF Card or SATA interface 2.5" SSD HDD	0°C ~40°C With HDD 0°C ~45°C With CF Card or SATA interface 2.5" SSD HDD	0°C ~40°C With HDD -10°C ~50°C With CF Card or SATA interface 2.5" SSD HDD	0°C ~40°C With HDD 0°C ~45°C With CF Card or SATA interface 2.5" SSD HDD
Storage Temperature (°C)	-20°C ~60°C			
N/G Weight	5.8 Kg		6.2 Kg	
IP Level	Frant Frame IP64			
Safety & EMC	CE / FCC / CB / CCC			
Touch Screen	Resistive Type 5-Wire (Touch controller IC is on board)			
Power Adapter	P/N: 63000-FSP0841ADC11119-RS 84W Power Adapter Input: 90VAC~264VAC, 50/60Hz Output: 12VDC	P/N: 63000-FSP150AHA312-RS 150W Power Adapter Input: 90VAC~264VAC, 50/60Hz Output: 12VDC	P/N: 63000-FSP0841ADC11119-RS 84W Power Adapter Input: 90VAC~264VAC, 50/60Hz Output: 12VDC	P/N: 63000-FSP150AHA312-RS 150W Power Adapter Input: 90VAC~264VAC, 50/60Hz Output: 12VDC
Power Requirement	12VDC			
Power Consumption	55W	88W	61W	95W

CDRW-DVD Combo Drive Spec



The drive is able to write CD-R/RW discs and also can perform as a regular DVD-ROM drive.

Drive Type	Internal Slim CD-RW/DVD Combo Drive	
Data Transfer Rate	Write: CD-R: 24X CD-RW: 24X	Read: DVD-ROM: 8X CD-ROM: 24X
Interface	SATA	
Buffer Memory	2MB	

Note: WiFi 802.11 draft N is upgradable.
Note: Optional 1.3MP Camera with Digital Microphone Module

1 Automation
2 Point of Service
3 Digital Signage
4 RISC-based Solutions
5 Medical Solutions

Ordering Information

	Part Number	Description
w/o ODD	AFL-W19A-ATOM-N270/WT-R/1GB/**(HSUPA01)-R10	19" 300cd/m ² 1440x900 panel PC with Intel® Atom™ N270 1.6GHz CPU,1GB DDR2 RAM,802.11 b/g wireless module,touch screen,Bluetooth,300K camera,microphone,RoHS
	AFL-W19A-GM45-CM575/WT-R/1GB/**(HU01)-R10	19" 300cd/m ² 1440x900 panel PC with Celeron M 2.0GHz CPU,1GB DDR2 RAM,802.11 b/g/n WiFi,touch screen,Bluetooth,300K camera,microphone,RoHS
	AFL-W19A-GM45-T7500/WT-R/2GB/**(HU01)-R10	19" 300cd/m ² 1440x900 panel PC with Core 2 Duo T7500 2.2GHz CPU,2GB DDR2 RAM,802.11 b/g/n WiFi,touch screen,Bluetooth,300K camera,microphone,RoHS
	AFL-W19A-GM45-T9400/WT-R/2GB/**(HU01)-R10	19" 300cd/m ² 1440x900 panel PC with Core 2 Duo T9400 2.53GHz CPU,2GB DDR2 RAM,802.11 b/g/n WiFi,touch screen,Bluetooth,300K camera,microphone,RoHS
w/ ODD	AFL-W19B-ATOM-N270/WT-R/OD/1GB/**(HU01)-R10	19" 300cd/m ² 1440x900 panel PC with Intel® Atom™ N270 1.6GHz CPU,1GB DDR2 RAM,802.11 b/g WiFi,touch screen,Bluetooth,300K camera,microphone, DVD-COMBO, RoHS
	AFL-W19B-GM45-CM575/WT-R/OD/1GB/**(HU01)-R10	19" 300cd/m ² 1440x900 panel PC with Celeron M 2.0GHz CPU,1GB DDR2 RAM,802.11 b/g/n WiFi,touch screen,Bluetooth,300K camera,microphone, DVD-COMBO, RoHS
	AFL-W19B-GM45-T7500/WT-R/OD/2GB/**(HU01)-R10	19" 300cd/m ² 1440x900 panel PC with Core 2 Duo T7500 2.2GHz CPU,2GB DDR2 RAM,802.11 b/g/n WiFi,touch screen,Bluetooth,300K camera,microphone, DVD-COMBO, RoHS
	AFL-W19B-GM45-T9400/WT-R/OD/2GB/**(HU01)-R10	19" 300cd/m ² 1440x900 panel PC with Core 2 Duo T9400 2.53GHz CPU,2GB DDR2 RAM,802.11 b/g/n WiFi,touch screen,Bluetooth,300K camera,microphone, DVD-COMBO, RoHS

Options

Model	AFL-W19A-ATOM	AFL-W19A-GM45	AFL-W19B-ATOM	AFL-W19B-GM45
Panel mounting kit	AFLPK-W19B			
Wall mounting kit	AFLWK-19			
Rack mounting kit	N/A			
ARM	ARM-11-RS / ARM-31-RS			
Stand	STAND-A19 / STAND-B19 / STAND-210-RS			
OS: Win CE 6.0	AFLCF-W19-ATOM-CE060-R10	N/A	AFLCF-W19-ATOM-CE060-R10	N/A
OS: Win XPE	AFLCF-W19-ATOM-XPE-R10	AFLCF-W19-GM45-XPE-R10	AFLCF-W19-ATOM-XPE-R10	AFLCF-W19-GM45-XPE-R10
OS: LINUX	AFLCF-W19-ATOM-LNX-R10	AFLCF-W19-GM45-LNX-R10	AFLCF-W19-ATOM-LNX-R10	AFLCF-W19-GM45-LNX-R10
DC 12V Input UPS	AUPS-B10-R10 (VESA 100, DC 12V input, 12V output 100W UPS module with 3800mAh)			
DC 9~36V Input UPS	AUPS-B20-R10 (VESA 100, DC 9~36V input, 12V output 100W UPS module with 3800mAh)			

Note: Win CE application without digital microphone function

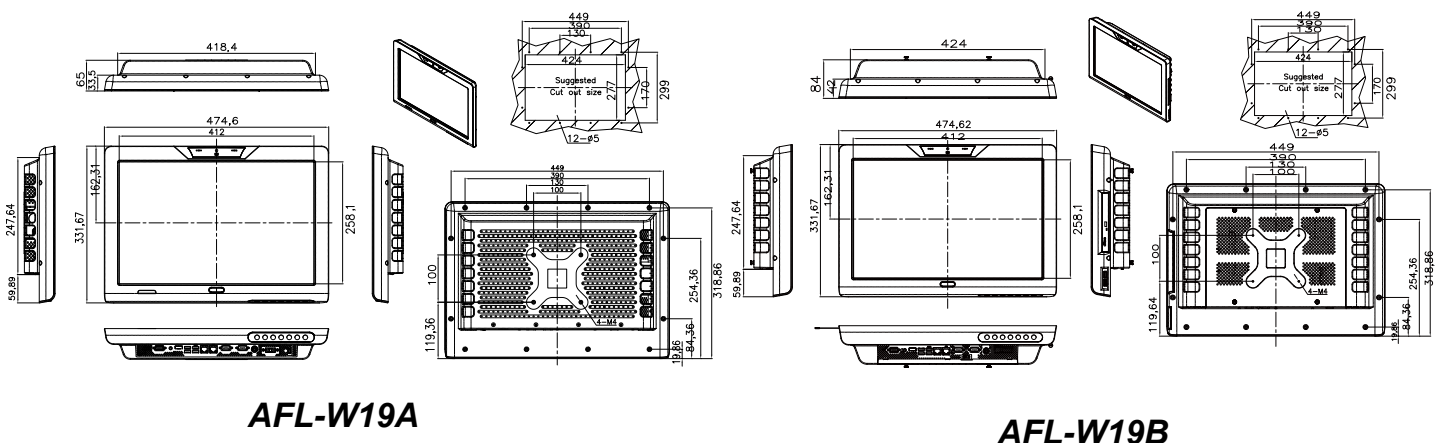
Packing List

Item	Part Number	Qty	Specification
Screws Pack	44013-030041-RS	4	M3;5mm
Power Adpater	63000-FSP0841ADC11119-RS 63000-FSP150AHA312-RS	1	90~264V AC; 12V DC; 84W (W19A/B-ATOM) 90~264V AC; 12V DC; 150W (W19A/B-GM45)
Power Cord	32000-000002-RS	1	1750mm; (EU or US, Which type of cord is shipped depends on the country)
Utilities CD	7B000-000087-RS	1	
Touch Pen	XTR104-0002-RS	1	

ISMM Support Functions

	Voltage	Fan	Smart Fan	Temperature	WDT	Cash Drawer
AFL-W19A(B)-ATOM	V			V	V	
AFL-W19A(B)-GM45	V	V	V	V	V	

Dimensions (Unit: mm)



1
Automation

2
Point of Service

3
Digital Signage

4
RISC-based Solutions

5
Medical Solutions