

Industrial Aluminum PPC-37 Series

PPC-3712

Intel® Celeron® M/Intel® Atom™ N270 Processor with 12.1" SVGA / XGA TFT LCD and Touchscreen



Features

1. 12.1" TFT SVGA/XGA LCD
2. Supports 2 GB (max.) 400/533 MHz DDRII SO-DIMM
3. Dual Ethernet
4. Fanless and ultra-low power consumption
5. Optional 802.11 b/g wireless LAN module
6. One CompactFlash® Type II socket
7. IP 65 compliant aluminum die-casting front panel

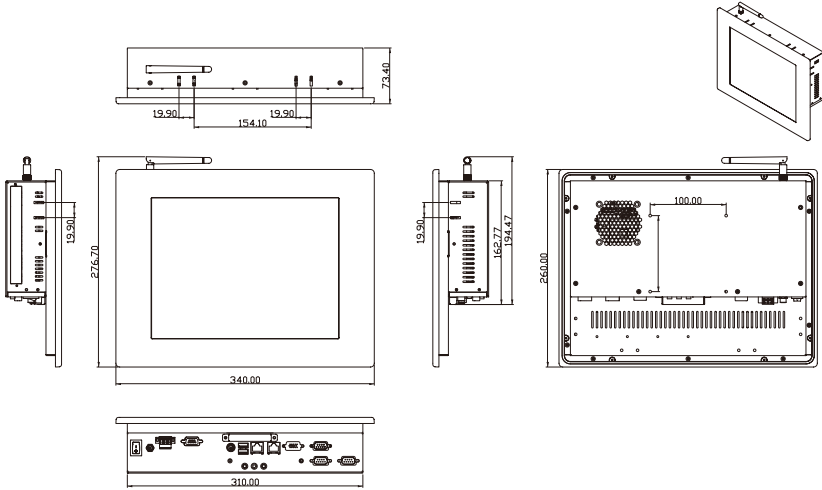


Specifications

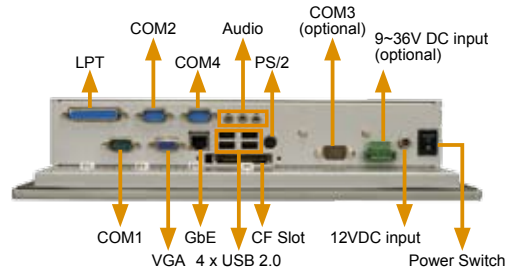
		PPC-3712GS/8522	PPC-3712GXS/8522	PPC-3712GXS/9452	PPC-3712A/N270	PPC-3712B/N270	
Display	LCD Size					12.1"	
	Max Resolution	800(W) x 600(H)		1024(W) x 768(H)			
	Brightness (cd/m²)	400		450			
	Contrast Ratio	500:1		700:1			
	LCD Color						262K
	Pixel Pitch (mm)						0.240(H) x 0.240(V)
	Viewing Angle (H-V)	140° /110°		160° /160°			
Backlight MTBF (hrs)						50,000	
Motherboard	SBC Model	NANO-8522		NANO-9452	NANO-945GSE-N270	NANO-945GSE-N270	
	CPU	Socket 479 2.1GHz (max.) Intel® Pentium® M / Celeron® M with 400 MHz 1 GHz or 600 MHz Intel Celeron zero cache CPU		Socket M Intel® Core™2 Duo, Core Duo, Core Solo with 667MHz FSB Intel® Celeron® M 533MHz FSB	Intel® Atom™ process N270 1.6GHz CPU		
	Chipset	Intel® 852GM + ICH4		Intel® 945GM + ICH7M	Intel® 945GSE + ICH7M	Intel® 945GSE + ICH7M	
	RAM	Supports one 266/200MHz DDR SO-DIMM (1GB Max.)		Supports one 400/533/667 MHz DDRII SO-DIMM (1GB Max.)	Supports one 533MHz DDRII SO-DIMM (2GB Max.)	Supports one 533MHz DDRII SO-DIMM (2GB Max.)	
I/O Ports and Switches		3 x RS232 COM Port (One optional for Touch Screen) 1 x RS-232/422/485 Port 1 x RJ-45 for LAN Port 4 x USB 2.0 1 x VGA Port 1 x Audio (Line-in, Line-out, MIC-in) 1 x PS/2 (KB/MS) 1 x LPT 1 x 12VDC input Power Jack 1 x Power Switch 1 x 9~36VDC input Terminal block (Optional)		2 x RS232 COM Port 1 x RS-232/422/485 Port 2 x RJ-45 for LAN Port 2 x USB 2.0 1 x VGA Port 1 x Audio (Line-in, Line-out, MIC-in) 1 x PS/2 (KB/MS) 1 x 12VDC input Power Jack 1 x Power Switch	2 x RS232 COM Port 1 x RS-232/422/485 Port 2 x RJ-45 for LAN Port 2 x USB 2.0 1 x VGA Port 1 x Audio (Line-in, Line-out, MIC-in) 1 x PS/2 (KB/MS) 1 x 12VDC input Power Jack 1 x Power Switch		
		1 x 2.5" SATA/IDE HDD Bay		1 x 2.5" SATA HDD bay with anti-shook			
Driver Bay	HDD Driver Bay	1 x 2.5" SATA/IDE HDD Bay		1 x 2.5" SATA HDD bay with anti-shook			
	SSD						CF Type II
Extension Slot	CD-ROM Driver Bay	Slim Type CD-ROM Bay			N/A		
		N/A		1 x Wireless Lan 802.11 b/g Module (internal Mini PCIe interface)			
Physical	Construction Front Panel						Aluminum
	Construction Chassis						Heavy-duty Steel
	Mounting						Panel, Wall, Rack, Stand and Arm VESA 100mm x 100mm
	Front Panel Color						Silver (Pantone 8001C)
	Dimensions (WxHxD) (mm)						340 x 260 x 73.4
Environment	Net Gross Weight						6 Kg / 8 Kg
	Operation Temperature (°C)						-10°C ~50°C
	Storage Temperature (°C)						-20°C ~60°C
	Vibration						5~17Hz, 0.1" double amplitude displacement, 17~640Hz, 1.5G acceleration peak to peak 10G acceleration part to part (11ms)
Shock						10G acceleration part to part (11ms)	
Touch Screen	Resistive Type 5-Wire with RS-232 interface						
Power Supply		For BGA Model - P/N: 63000-FSP0601AD101C746-RS - 60W Power Adapter - Input: 90VAC~264VAC, 50/60Hz - Output: 12VDC For Socket Model - P/N: 63000-FSP0841ADC11118-RS - 84W Power Adapter - Input: 90VAC~264VAC, 50/60Hz - Output: 12VDC		Power Adapter - P/N: 63000-FSP0841ADC11118-RS - 84W Power Adapter - Input: 90VAC~264VAC, 50/60Hz - Output: 12VDC	Power Adapter - P/N: 63000-FSP0601AD101C746-RS - 60W Power Adapter - Input: 90VAC~264VAC, 50/60Hz - Output: 12VDC	For AT AC Input model: - P/N: ACE-890A-RS - 86W Power Supply - Input: 90VAC ~ 264VAC - Output: 12VDC For ATX DC Input model: - P/N: ACE-709TX-RS - 90W Power Supply - Input: 36VDC ~ 72VDC - Output: 12VDC	
		IP65 Compliant					
Front Panel Protection	IP65 Compliant						
Certificate	Meets CE, FCC						
Ethernet	Intel 82551ER for 10/100Mbps		Dual PCIe Broadcom BCM5787M GbE chipsets with ASF2.0 remote control support		Dual Realtek RTL8111CP GbE Controllers		
Audio	AC' 97 2.3 Realtek ALC 655		AC' 97 2.3 Realtek ALC 883		AC' 97 2.3 Realtek ALC 655		

1 Automation
2 Point of Service
3 Digital Signage
4 RISC-based Solutions
5 Medical Solutions

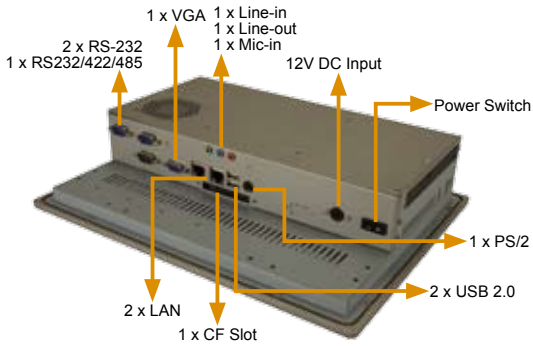
Dimensions (Unit: mm)



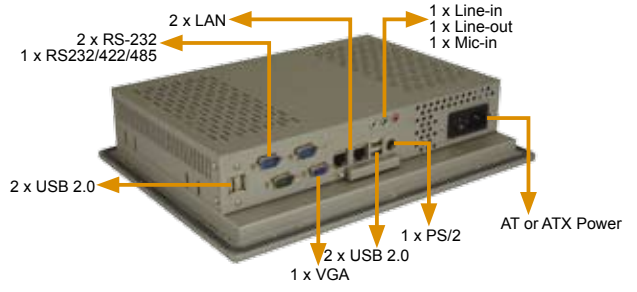
▼ PPC-3712GS/8522



▼ PPC-3712A, PPC-3712GXS/9452



▼ PPC-3712B



IEI's New PPC-3712BA/BT Supports More Features as :



AC Input Directly

85~264V AC or 36~72 V DC power supply built in without external power adapter

DC 48V Input



All New Power Selection

A: PPC-3712BA/NANO-945GSE/ACE-890A B: PPC-3712BT/NANO-945GSE/ACE-709TX

ACE-890A
86 W AC-DC Open Frame AT Power Supply



Input Type	85 ~ 264 VAC Full Range		
Output Voltage	+5 V	+12 V	-12V
ACE-890A	10A	2.5 A	0.5A
Efficiency	70%		
Temperature	Operating : 0 °C~ 50°C Storage : -20 ~ 85 °C		
MTBF(hrs)	268,000(ACE-890A)		

ACE-709TX
DC Input Open Frame ATX Power



Input Type	36 ~ 72 VDC (ACE-709TX)			
Output Voltage	+5 V	+12 V	-12V	+5 Vsb
ACE-890A	10A	2.5 A	0.5A	0.5A
Efficiency	70%			
Temperature	Operating : -20 °C~ 70°C Storage : -20 °C~ 85 °C			
MTBF(hrs)	170,000 (ACE-709TX)			



1
Automation

2
Point of Service

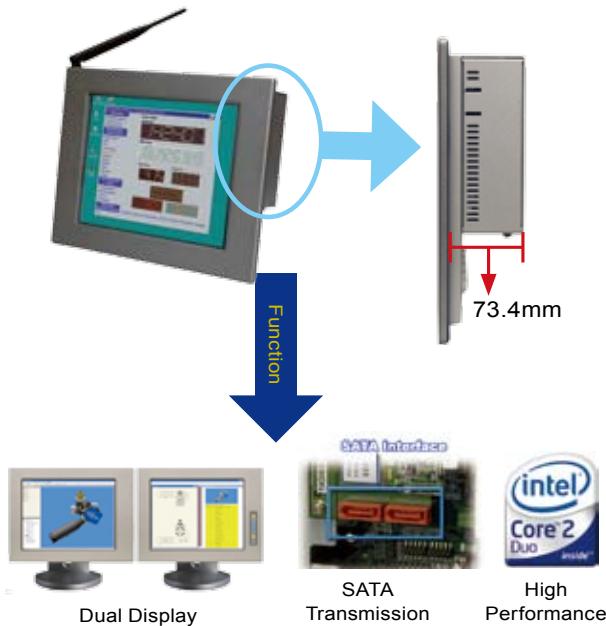
3
Digital Signage

4
RISC-based Solutions

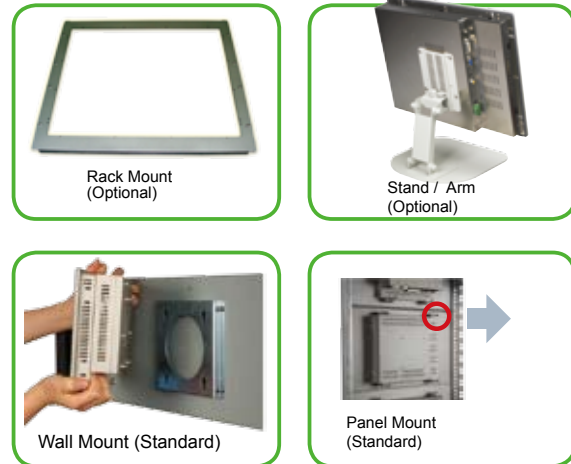
5
Medical Solutions

High Performance & Compact Size

High performance and compact size allow users to set up the PPC-3712GS in a wide range of applications



IQ Mount Supporting List



Packing List

Description	Part Number	Amount
CD-ROM Installation Kit	19B00-000032-RS	1
Power Cord	32000-000002-RS	1
PS/2 Cable	32000-000138-RS	1
Jumper Pack	33100-000033-RS	1
Power Adapter (For GS Model Only)	63000-FSP0601AD101C746-RS - 60W 63000-FSP0841ADC11118-RS - 84W ACE-890A-RS - 86W ACE-709TX-RS - 90W	1
Screw Kit	19600-000207-RS	1
HDD IDE Cable	32200-074000-RS (PPC-3712GHS/8522)	1
Panel Mounting Kit	PK-121M	1
Panel Mounting Bracket	41019-0 45J4-00-RS	4
Wall Mounting Kit	WK-190MS-R10	4
User Manual & Driver CD		1
Touch Screen Driver CD / Touch Pen (For T-R model only)		1

Options

Panel Mounting Kit	PK-121M
Wall Mounting Kit	WK-190MS-R10
Rack mount kit	RK-121MS-R10
LCD Monitor Arm	ARM-11-RS
LCD Monitor Stand	STAND-100-RS/STAND-150-RS

Ordering Information

Platform	Model	Description
Intel® 852GM Platform	PPC-3712GMS/8522-1GZ/T-R/512MB	12.1" 400 cd/m ² SVGA TFT panel PC with NANO-8522,CPU Celeron M 1.0GHz zero cache,Silver Color,9~36V DC Input,512MB RAM and touch screen,RoHS
	PPC-3712GS/8522-1GZ/T-R/512MB	12.1" 400 cd/m ² SVGA TFT panel PC with NANO-8522,CPU Celeron M 1.0GHz zero cache,Silver Color,512MB RAM and touch screen,RoHS
	PPC-3712GMS/8522-CM370/T-R/512MB	12.1" 400 cd/m ² SVGA TFT panel PC with NANO-8522,CPU Celeron M 1.5GHz,Silver Color,9~36V DC Input,512MB RAM and Touch Screen,RoHS
	PPC-3712GS/8522-CM370/T-R/512MB	12.1" 400 cd/m ² SVGA TFT panel PC with NANO-8522,CPU Celeron M 1.5GHz,Silver Color,512MB RAM and touch screen,RoHS
	PPC-3712GXMS/8522-1GZ/T-R/512MB	12.1" 450 cd/m ² XGA TFT panel PC with NANO-8522,CPU Celeron M ULV 1GHz,Silver Color,9~36V DC Input, 512MB RAM and touch screen,RoHS
	PPC-3712GXS/8522-1GZ/T-R/512MB	12.1" 450 cd/m ² XGA TFT panel PC with NANO-8522,CPU Celeron M ULV 1GHz,Silver Color,512MB RAM and Touch Screen,RoHS
	PPC-3712GXMS/8522-CM370/T-R/512MB	12.1" 450 cd/m ² XGA TFT panel PC with NANO-8522,CPU Celeron M 1.5GHz,Silver Color,9~36V DC Input,512MB RAM and touch screen,RoHS
Intel® 945GM Platform	PPC-3712GXS/NANO-9452-CM440/T-R/1GB	12.1" 450 cd/m ² XGA TFT panel PC with NANO-9452,1.86 GHz Intel® Celeron® M CPU,Silver color and touch screen,w/ 1GB DDR2 RAM, RoHS
	PPC-3712GXS/NANO-9452-CM440/WT-R/1GB	12.1" 450 cd/m ² XGA TFT panel PC with NANO-9452,1.86 GHz Intel® Celeron® M CPU,Silver color and touch screen,802.11 b/g module,w/ 1GB DDR2 RAM,RoHS
	PPC-3712GXS/NANO-9452-T2300E/T-R/1GB	12.1" 450 cd/m ² XGA TFT panel PC with NANO-9452,1.66 GHz Intel® Celeron® M CPU,Silver color and touch screen,w/ 1GB DDR2 RAM, RoHS
	PPC-3712GXS/NANO-9452-T2300E/WT-R/1GB	12.1" 450 cd/m ² XGA TFT panel PC with NANO-9452,1.66 GHz Intel® Celeron® M CPU,Silver color and touch screen,802.11b/g,w/ 1GB DDR2 RAM,RoHS
Intel® Atom™ Platform	PPC-3712A/NANO-N270/T-R/1GB-R10	12.1" 450 cd/m ² XGA panel PC with Intel® Atom™ N270 1.6GHz/ 512KB L2 cache processor,1GB DDR2 RAM and touch screen,12VDC input
	PPC-3712A/NANO-N270/WT-R/1GB-R10	12.1" 450 cd/m ² XGA panel PC with Intel® Atom™ N270 1.6GHz/ 512KB L2 cache processor,1GB DDR2 RAM and touch screen,built-in 802.11 b/g wireless with one PCIe mini expansion slot,12VDC input
	PPC-3712BA/NANO-N270/890A/T-R/1GB-R10	12.1" 450 cd/m ² XGA fanless panel PC with Intel® Atom™ N270 1.6GHz/ 512KB L2 cache processor, w/ACE-890A AC input power supply, 1GB DDR2 RAM and touch screen, RoHS
	PPC-3712BA/NANO-N270/890A/WT-R/1GB-R10	12.1" 450 cd/m ² XGA fanless panel PC with Intel® Atom™ N270 1.6GHz/ 512KB L2 cache processor, w/ACE-890A AC input power supply, 1GB DDR2 RAM and touch screen, RoHS
	PPC-3712BT/NANO-N270/709TX/T-R/1GB-R10	12.1" 450 cd/m ² XGA fanless panel PC with Intel® Atom™ N270 1.6GHz/ 512KB L2 cache processor, w/ACE-709TX DC input power supply, 1GB DDR2 RAM and touch screen, RoHS
	PPC-3712BT/NANO-N270/709TX/WT-R/1GB-R10	12.1" 450 cd/m ² XGA fanless panel PC with Intel® Atom™ N270 1.6GHz/ 512KB L2 cache processor, w/ACE-709TX DC input power supply, 1GB DDR2 RAM and touch screen, built-in 802.11 b/g wireless with one PCIe mini expansion slot, RoHS